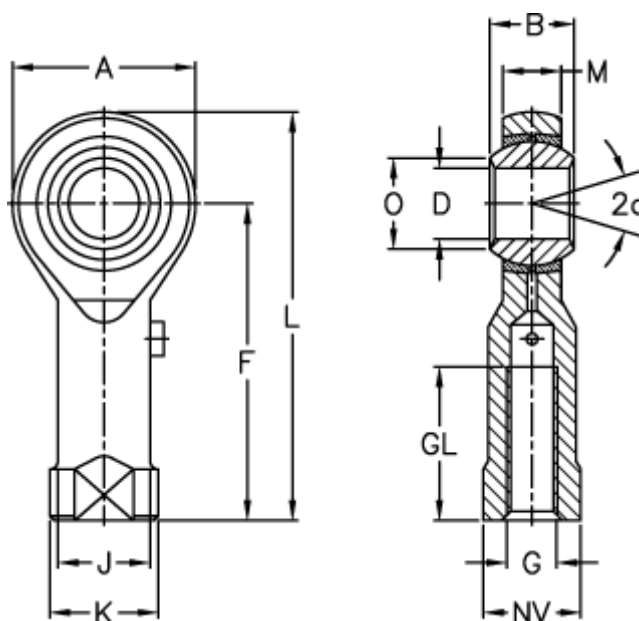


Article number: 03001020

Description: Fluro Rod End GI 20  
Zinc Plated

## Measures



A	= 50	J	= 27.5	Weight (g) = 415
a (degrees)	= 14	K	= 34	
B	= 25	L	= 102	
D	= 20	M	= 18	
Dynamic load C (kN)	= 23.5	NV	= 32	
F	= 77	O	= 24.3	
G	= M20x1,5	Permissible rpm	= 280	
GL	= 33	Static load C0 (kN)	= 49.5	